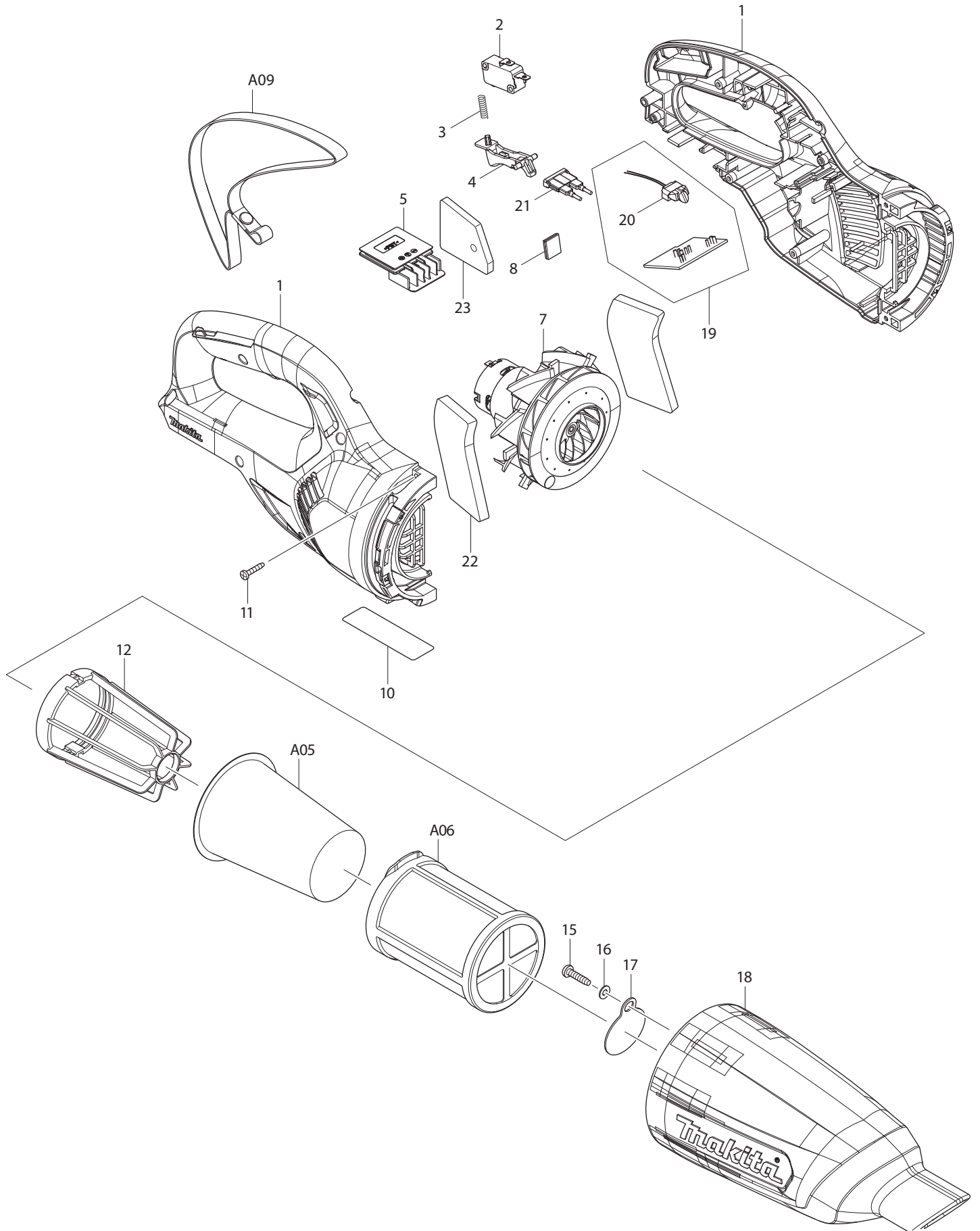




08 - 2016  
CL106FDZ  
12V Max CXT Vacuum Cleaner Blue



Item No	Type	Sub	Part No	Description	Qty	Unit
001			183F53-1	HOUSING SET	1	SET
002		INC.	810P36-5	CAUTION LABEL	1	PC.
			650744-8	SWITCH D3V-16-3C26	1	PC.
003			231473-8	COMPRESSION SPRING 4	1	PC.
004			455743-3	SWITCH LEVER	1	PC.
005			644813-5	TERMINAL	1	PC.
007			123849-2	MOTOR ASSEMBLY	1	PC.
008			424248-4	SPONGE SHEET 15-25	1	PC.
010			852S16-3	NAME PLATE F/CL106FD	1	PC.
011			266429-2	TAPPING SCREW M3X16	7	PC.
012	2		458467-0	* STAY	1	PC.
015			265995-6	TAPPING SCREW M4X18	1	PC.
016			941051-3	FLAT WASHER 4	1	PC.
017			424208-6	VALVE	1	PC.
018			457281-1	CAPSULE	1	PC.
019	1		632H48-8	CONTROLLER UNIT	1	PC.
		INC.		Item No. 20		
	2		632R92-5	CONTROLLER UNIT	1	PC.
		INC.		Item No. 20		
020	1		620601-4	LED CIRCUIT	1	PC.
	2		620E97-9	LED CIRCUIT	1	PC.
021			632H63-2	FUSE UNIT	1	PC.
022			424913-5	SPONGE SHEET 35-70	2	PC.
023			422150-5	SPONGE SHEET 38-43	1	PC.
024			422268-2	* SPONGE SHEET	1	PC.

#### **ACCESSORIES**

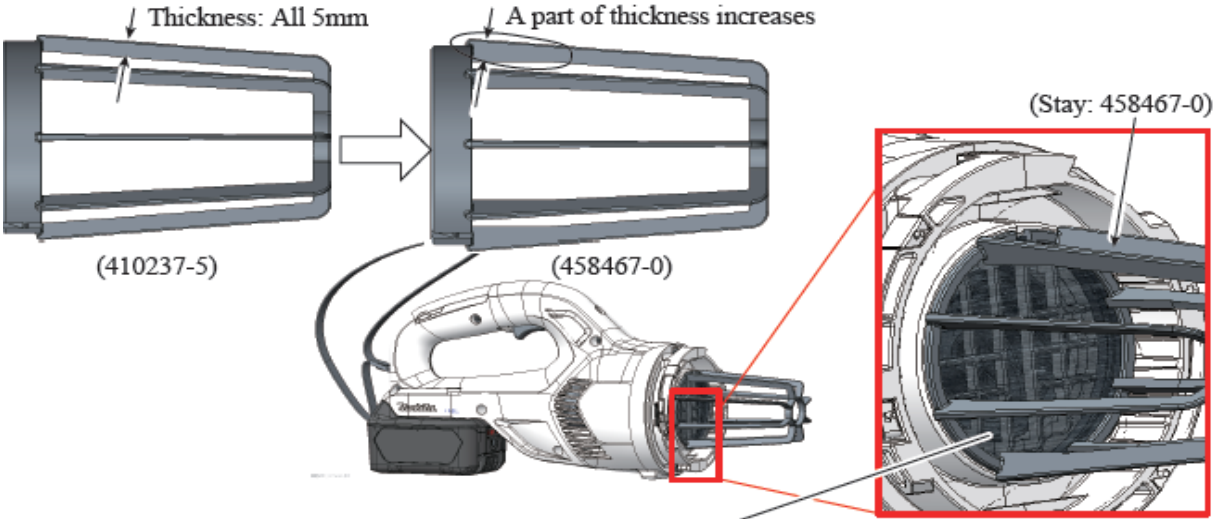
**- See Catalogue or visit [www.makita.ca](http://www.makita.ca) for more accessories -**

A01			123488-8	NOZZLE ASSY (T-NOZZLE), BLUE	1	PC.
		INC.	451410-8	ROLLER	4	PC.
		INC.	268208-4	PIN 3	4	PC.
		INC.	424096-1	WIPER	1	PC.
A02			451243-1	SASH NOZZLE, BLUE	1	PC.
	Opt.		416041-0	SASH NOZZLE, IVORY		
A03			451244-9	PIPE, BLUE	1	PC.
A04			451245-7	SASH NOZZLE HOLDER, BLUE	1	PC.
A05			443060-3	FILTER	1	PC.
A06	1		451208-3	NYLON PRE-FILTER (PKG# 198750-0)	1	PC.
	2		198750-0	NYLON PRE-FILTER (Bulk# 451208-3)	1	PC.
A07			DC10SB	RAPID CHARGER DC10SB	1	PC.
A08			-----	12V MAX LI-ION BATTERY, SLIDE TYPE	1	PC.
A09			163400-6	HAND STRAP	1	PC.
A10	2		198548-5	ROUND BRUSH SET, IVORY	1	PC.
A11			191724-0	SHELF BRUSH, IVORY	1	PC.
A12			191496-7	FLEXIBLE HOSE, IVORY	1	PC.
A13			456128-6	BATTERY COVER F/12V LI-ION	1	PC.
			-----	LI-ION BATTERY ACCESSORIES		
A14			198150-4	NOZZLE ASSEMBLY (T-NOZZLE), F/CARPET, IVORY, DX S	1	PC.

**SERVICE CHANGES**

(T/I# C1159)

Item No.	Description	Type 1	Type 2
12	STAY	410237-5	458467-0
24	SPONGE SHEET	---	422268-2



Sponge sheet is added to between the projections of Stay and lattice portion of Housing